

TENDER WALL RANGE HOOD



A UPGRADED ROUNDED CANOPY HOOD WITH ADVANCED FEATURES. The upgraded Tender by Faber now with VAM technology features a rounded canopy and chimney, advanced electronic controls, an optional remote control and energy efficient LED lights. The Tender delivers your choice of performance level in a stylish chimney style range hood.

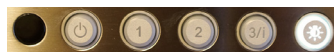


AVAILABLE MODELS

Model #	Size / Color	Set your CFM Level	Sound Levels (sones)
TEND30SSV	30" Stainless	295, 395, 600 CFM	2.8 - 7.5
TEND36SSV	36" Stainless	295, 395, 600 CFM	2.8 - 7.5
TEND30BSV	30" Black Stainless	295, 395, 600 CFM	2.8 - 7.5
TEND36BSV	36" Black Stainless	295, 395, 600 CFM	2.8 - 7.5

Note: Set to 600 CFM motor class out of the box.

KEY FEATURES



Backlit Electronic Controls

Backlit electronic controls with a White LED light to indicate the current speed and LED lighting. Now you can adjust CFM's at installation from the control buttons.



LED Bulbs

Low consumption 1 watt LED bulbs light up your cooking but use very little energy.



Remote Control (optional)

Control all features of the hood from the convenience of a wireless ADA compliant remote control. (sold separately)

TENDER WALL RANGE HOOD



SPECIFICATIONS

DIMENSIONS

min. / max. ceiling height	7' 7 1/2" - 9' 10 3/4"
convertible to ductless / recirculating	yes - with DUCTCLPL
canopy depth / height	19 21/32" d / 9 7/16" h
high ceiling kit	yes - reaches up to 11' 4 1/2" ceilings
Variable Air Management	yes (set to 295, 395, 600 CFM)
controls	4 speed electronic w/ white LED
lighting	2 x 1 (w) LED
ducting top	6" round
grease filters	dishwasher safe mesh
10 minute intensive speed	yes
15 minute auto shut off	yes
ADA compliant	yes (with remote control purchase)
power cord included	yes
AC power	320 watts / 2.7 amps

PERFORMANCE

	SPEED	1	2	3	BOOST
CFM		150	295	395	560
sones		2.8	4.3	6.0	7.5

ACCESSORIES

FILTER1 - Charcoal Filter Kit

High quality charcoal filter for use when recirculating the air back into the kitchen. Filters out odor and should be replaced every 6 months

REMCTRL2 - Remote Control

Control all features of the hood from the convenience of a wireless remote control

DUCTCLPL - Ductless Conversion Kit

To convert the Tender to ductless, this kit includes charcoal filters and a diverter to send the air thru the side grates on the lower chimney.

HIGHTNDR - High Ceiling Kit

High ceiling kit replaces both the upper chimney with a 39" chimney to reach up to 11'

BAFFLE2 (30") / BAFFLE3 - (36") Baffle Filter Kit

Upgrade mesh grease filters to stainless baffle grease filters. BAFFLE2 for 30" models, BAFFLE3 for 36" models.

FILTER1LL - Long Lasting Charcoal Filter Kit

New washable charcoal filter can be recharged and washed up to 8 times. For use when recirculating the air back into the kitchen. Filters out odor and can last up to 4 years.

HIGHTNDRBS - High Ceiling Chimney Kit

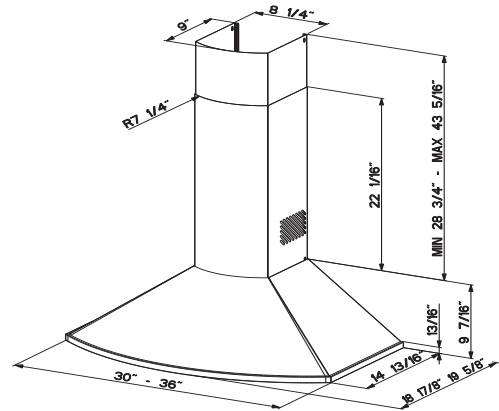
One tall upper chimney kit. For black stainless steel only.

MUDAMPER6 / MUDAMPER8 Universal Make-Up Air Damper

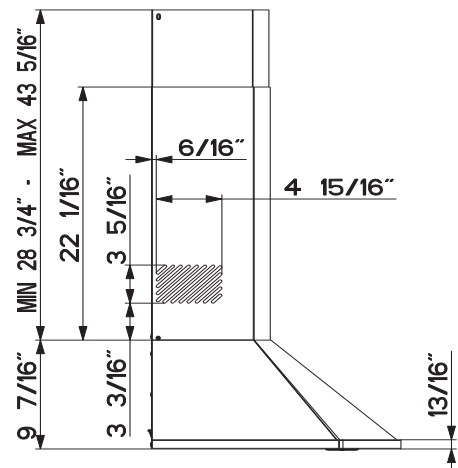
Satisfies make-up air requirements, this kit uses an air switch to activate the make-up air damper to open and bring fresh air into the home when the hood fan is on. It then closes tightly when the hood is off. The CFM level is not reduced with this accessory.

WIREBOX - Fixed Wiring Box

Replace the power cord with a hard wired box to power the range hood.



Front View



Side View

WARNING! Product specifications are subject to change without notification. Consult the installation instructions before you begin installing this range hood. * Check local make up air codes for guidelines.